


PRODUCT SHEET

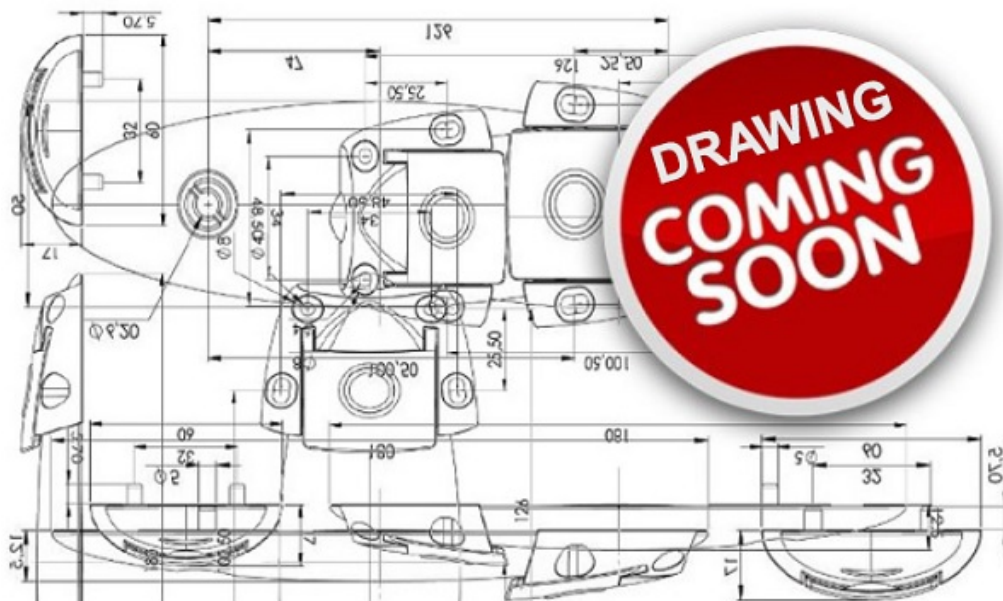
Description:

Spring Washer, Stainless Steel, 1mm, ID 8,4mm, OD 18mm

Item number:

12.13.361-0

Units	Box	Carton	HS Code	Barcode
Pcs.			7318220091	 5704866029346



SISO A/S

Mileparken 11
DK-2740 Skovlunde
Denmark
VAT: DK 24786013

Phone +45 45 830 900

www.siso.dk
siso@siso.dk

Danske Bank
Nytorv Branch
Copenhagen
SWIFT: DABADKKK

Account no.
4180 3112 112936
IBAN Account
DK7230003112112936